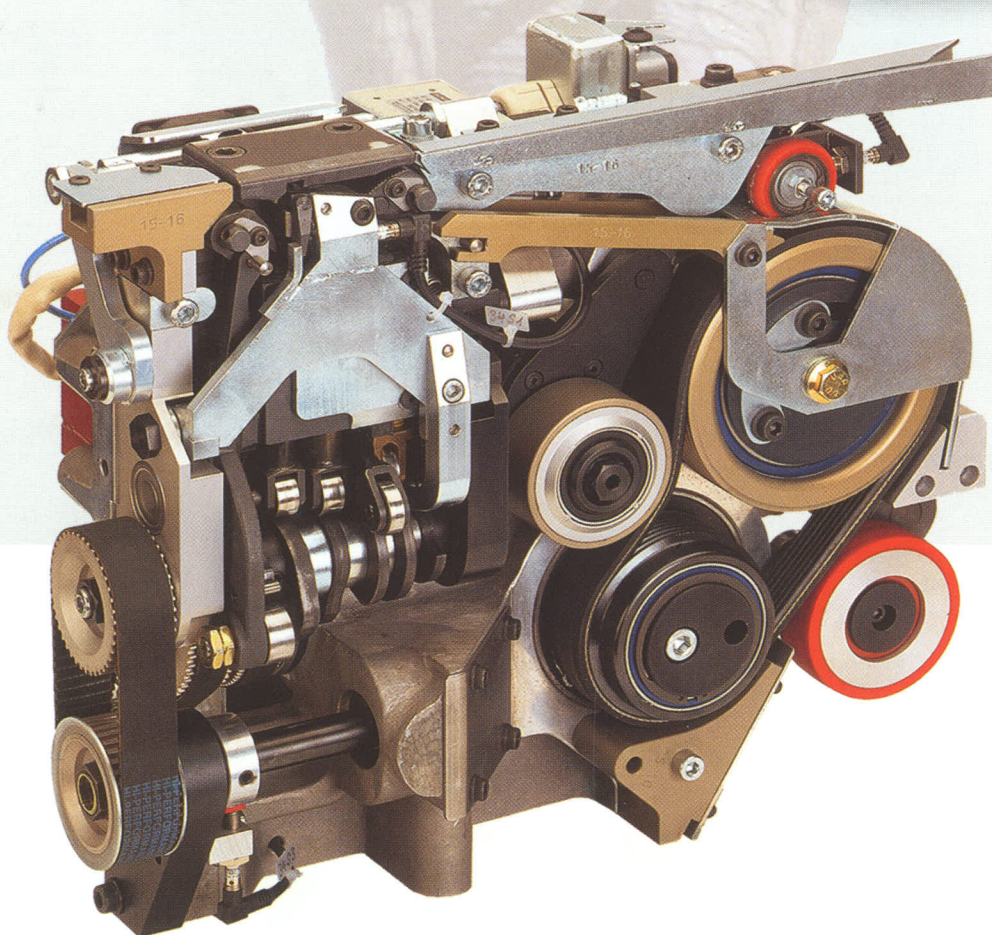
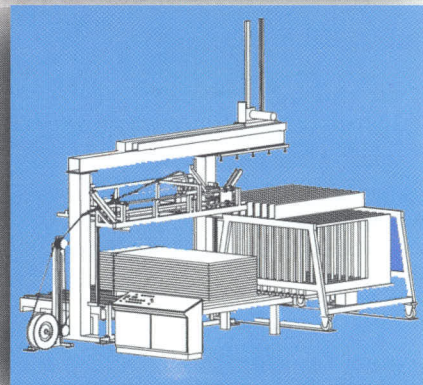


THE **"STRONG ONE"**
FOR HIGH TENSILE
POLYESTER STRAP

STRAPPING HEAD
ORGAPACK OR-T 240



ORGAPACK OR-T 240:

The latest technology to tension high-tensile polyester strap up to 5000 N

Versatile application

- For use with either polyester or polypropylene strap of different widths and thicknesses
- Compact design: simple, flexible assembly into strapping installations

For continuous operation

- Reliable due to simple modular construction
- Simple and fast exchange of wearing parts

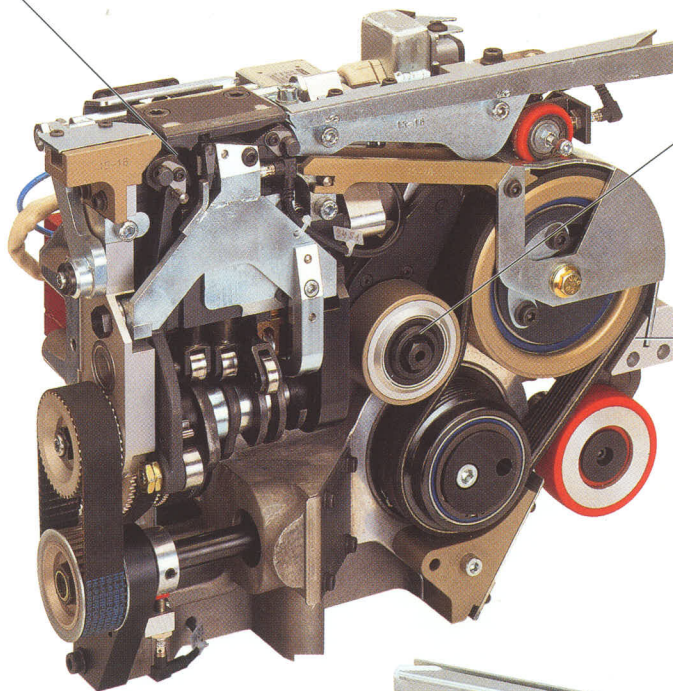
New

- Automatic self-cleaning after every strapping cycle

Technical data

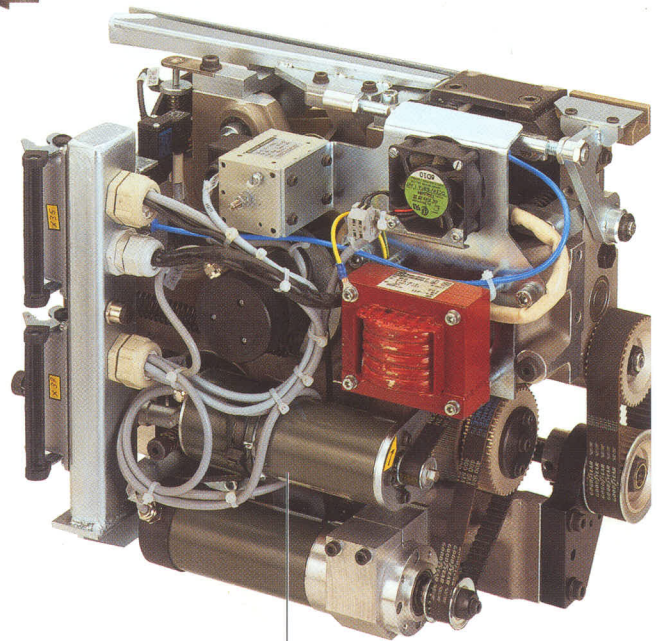
- Strap widths
12–13, 15–16 and 18–19 mm
($\frac{1}{2}$ " , $\frac{5}{8}$ " , $\frac{3}{4}$ ")
- Strap thickness
0.6–1.3 mm (.023–.050")
- Polyester and polypropylene strap
- Strap feed/take up
up to 4 m/s (13 feet/sec.)
- Strap tension
fully adjustable
12–16 mm ($\frac{1}{2}$ " , $\frac{5}{8}$ "):
up to 4000 N
18–19 mm ($\frac{3}{4}$ "):
up to 5000 N
- Seal efficiency
up to 85%
(depending on strap)
- Weight
approx. 45 kg (99 lbs)

Heat seal unit
for high efficiency
heat seal

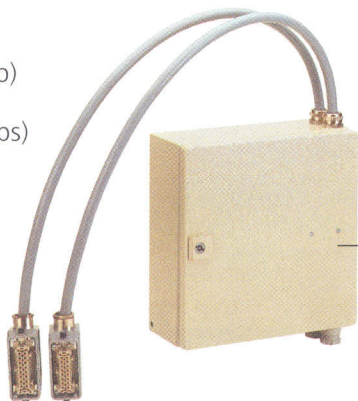


Rapid strap
feed/take up

Endless
tensioning
system



Modular construction:
separate motor for strap feed,
tensioning and sealing – with
the most up-to-date drive
technology (24 V DC)



Microprocessor control
for the drive motors:
remote from the strapping
head