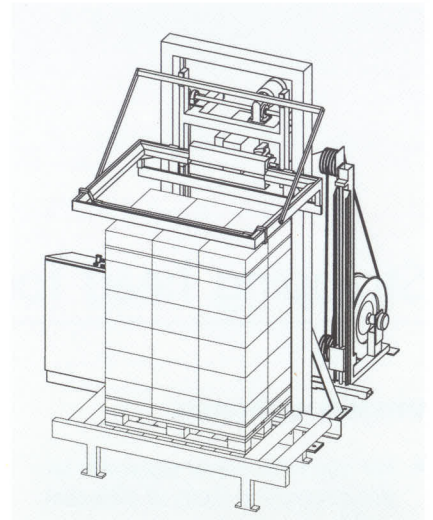
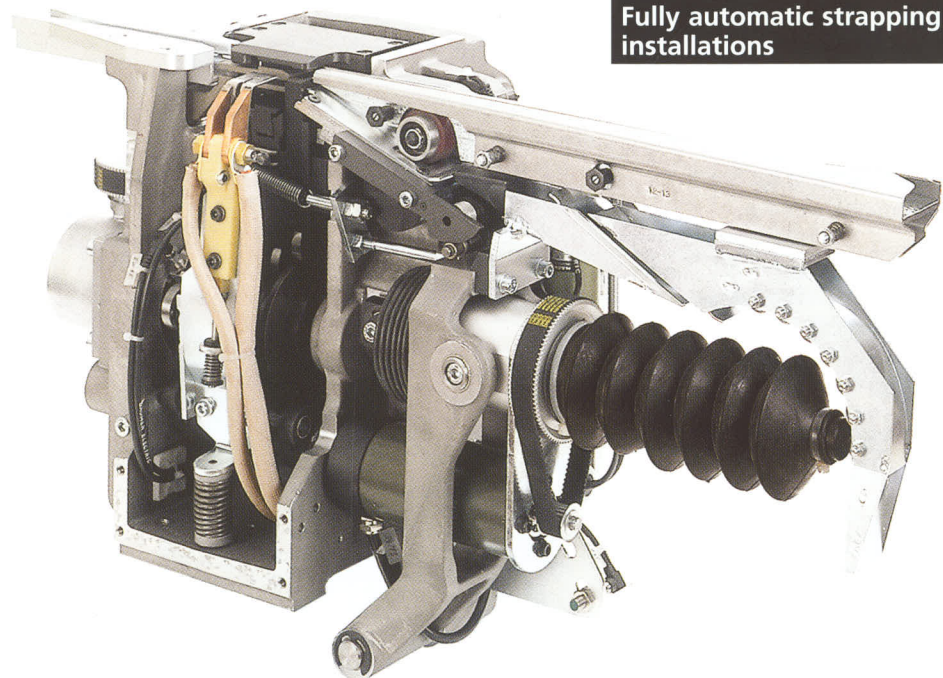


STRAPPING HEAD FOR PLASTIC STRAP

ORGAPACK OR-T 230



Fully automatic strapping
installations



ORGAPACK OR-T 230: Strapping head for versatile applications

Versatile application

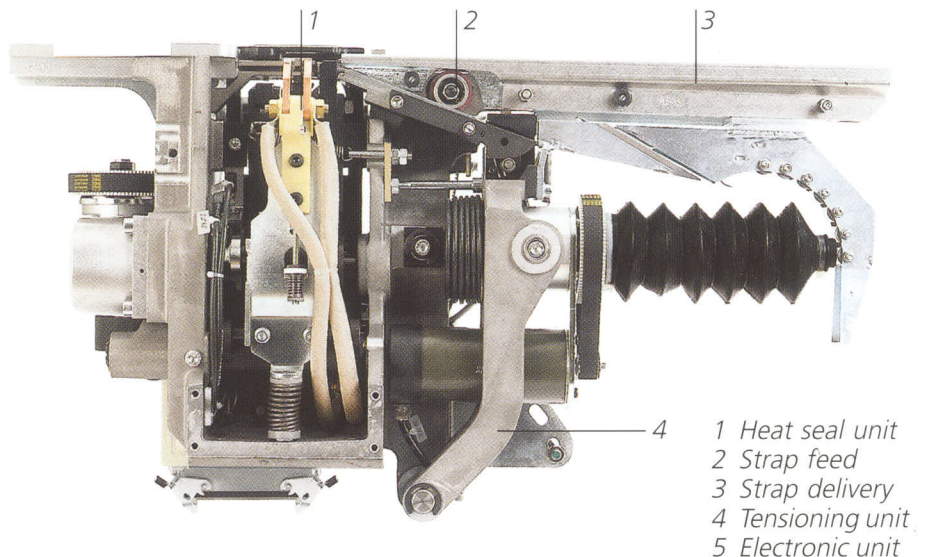
- For use with either polyester or polypropylene strap of different widths and thicknesses
- Simple, flexible assembly into strapping installations – side-mounted or top-mounted for vertical and horizontal strapping
- Strap tension fully adjustable up to 2200 N
- Suitable where quiet operation is required

For continuous operation

- Reliable due to simple mechanical construction
- Simple and fast exchange of wearing parts

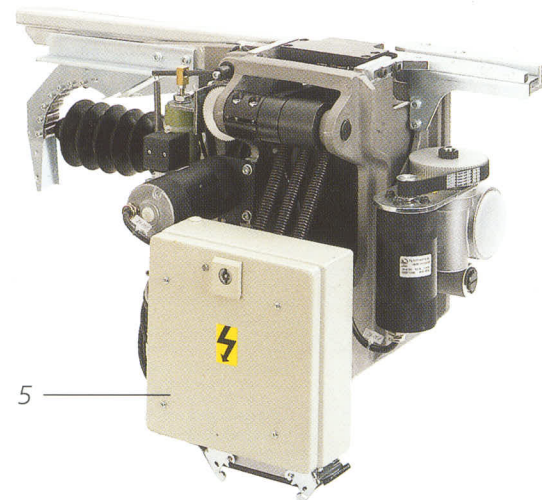
Further advantages

- Modular construction: three motors for strap feed, tensioning and sealing
- Linear tensioning: prevents strap deformation during tensioning
- Rapid strap feed/takeup
- Electronic control for the drive motors



Technical data

- Strap widths
12/13, 16 and 19 mm
($\frac{1}{2}$ " , $\frac{5}{8}$ " , $\frac{1}{2}$ ")
- Strap thickness
0.5–0.8 mm (.020–.031")
- Polyester and polypropylene strap
- Strap feed/takeup
3.5 m/s (13'/sec.)
- Strap tension
fully adjustable up to 2200 N
- Seal efficiency
up to 85% (depending on strap)
- Weight
approx. 45 kg (99 lbs)



High efficiency heat seal with either polyester or polypropylene strap

ORGAPACK GmbH
Strapping Systems Engineering (SSE)

Silberstrasse 14
CH-8953 Dietikon
Telephone +41 1 745 50 50
Fax +41 1 745 53 23
e-mail sse@orgapack.com
Internet <http://www.orgapack.com>

U.K. ORGAPACK

Unit 83, Third Avenue
Heatherhouse Road
Irvine, Ayrshire KA12 8 HQ
Telephone (01294) 311911
Fax (01294) 311920